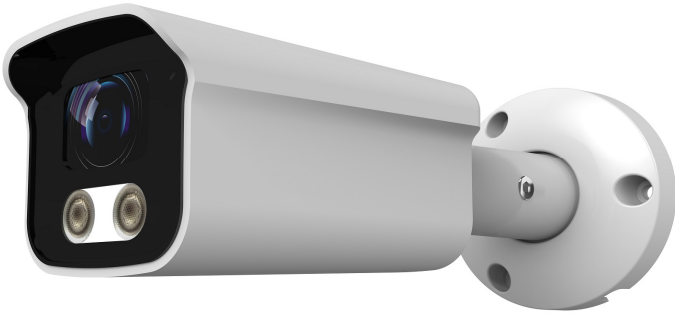


IC-B80SV-28

8MP Pro Series IR Fixed-focal Bullet IP Camera



Key Features

- 1/2.8" SONY STARVIS Image Sensor
- 2.8 mm fixed lens
- Max resolution 3840×2160
- WDR, 3D DNR, BLC, Defog
- IR distance up to 25m
- Built-in MIC
- Max. 512G micro SD card
- 12V DC/PoE power supply
- IP67



Product Overview

4K technology as a revolutionary breakthrough in image, which enhance the expressive image of essence, allowing users to experience the best picture quality brought about by the visual feast.

Support H.265

The camera is designed on the most efficient and powerful H.264 and H.265/HEVC encoding platform. The camera is capable of delivering high-quality and high-resolution video with very low network load. With a doubling of encoding efficiency, H.265 is the compression standard of choice for IP video surveillance systems.

ONVIF Standard

The Pro Series Bullet IP Cameras are designed to adhere to ONVIF Profile G and S open communication standards for simple integration into IP systems.

IP67 Weatherproof Rating

These Bullet IP camera is equipped with IP67 weatherproof de-signed. It can be used indoors and outdoors in any harsh weather conditions.

Technical Specification

Camera

Image Sensor	1/2.8" SONY STARVIS IMX415
Resolution	8MP
Effective Pixels	3840(H) x 2160(V)
Compression	H.265+, H.265, H.264+, H.264, AVI
Electronic Shutter	Auto: PAL 1/25-1/10000Sec
Min Illumination	Color: 0.01 lux@F1.6, AGC ON B/W : 0 lux with IR
S/N Ratio	52dB
Scanning System	Progressive

Lens

Lens Mount	M12
Focus Length	2.8mm
Lens Type	Fixed

Night Vision

Infrared LED	42μ x 2PCs
Infrared Distance	25Meter
IR Status	Auto Control
IR Power On	Smart, Manual & Timed mode

Network

Ethernet	RJ-45 (10/100Base-T)
Network Protocol	TCP/IP, ICMP, HTTP, HTTPS, FTP, DHCP, DNS, DDNS, RTP, RTSP, RTCP, NTP, SMTP, UDP
Interface Protocol	ONVIF (Profile S / T / G)
PoE	IEEE 802.3af
Main Stream	3840x2160@30fps, 2560x1440@30fps
Sub Stream	720x480@30fps, 352x288@30fps
Support Brower	Google Chrome, Firefox, Apple Safari
Smart Phone	iPhone, Android

Features

Day / Night	Color / B&W (IR-Cut)
Image Config	Saturation/Brightness/Contrast /Sharpness, Mirror, 3D NR , White Balance, FLK(Flicker Control)
Defog Mode	Support

BLC	Support
WDR	WDR: 140dB
Privacy Masking	3 Rectangular Zone

Interface

Audio	Built-in MIC
Audio Compression	G.711A, G.711U, AAC
Micro SD Card	Support Max. 512G

General

Housing	Metal , IP67
IR Cut Filter	Yes
Operation Temperature	-20°C ~ +60°C RH95% Max
Power Source	DC12V ± 10%, 700mA
Dimension	72(W) x 66(H) x 175(L)mm
Weight	850g

Certification

Certification	FCC Part 15B EN 55032:2015+A1:2020 EN 55035: 2017+A11:2020 IEC 62321-3-1:2013 IEC 62321-5:2013 IEC 62321-4:2013+AMD1:2017
---------------	--

Dimensional Diagrams

